



Installation Videos Available on YouTube

33800 Lear Industrial Parkway, Avon OH 44011

1-888-333-1134

www.MainAccess.com



Easy Entry
Model #200400T



Attention: DO NOT return product to store! If you have any damaged or missing components, please contact Main Access customer service for immediate assistance at 1-888-333-1134 or info@MainAccess.com.

All assembly videos available mainaccess.com or YouTube

Be sure to check out the wide variety of products that Main Access offers!



Shown with optional #200700T (Smart Choice Ladder) to create Easy Entry System



Assembly Instructions for Model #200400T Easy Entry Step



EASY ENTRY STEP

Model #200400T Assembly Instructions

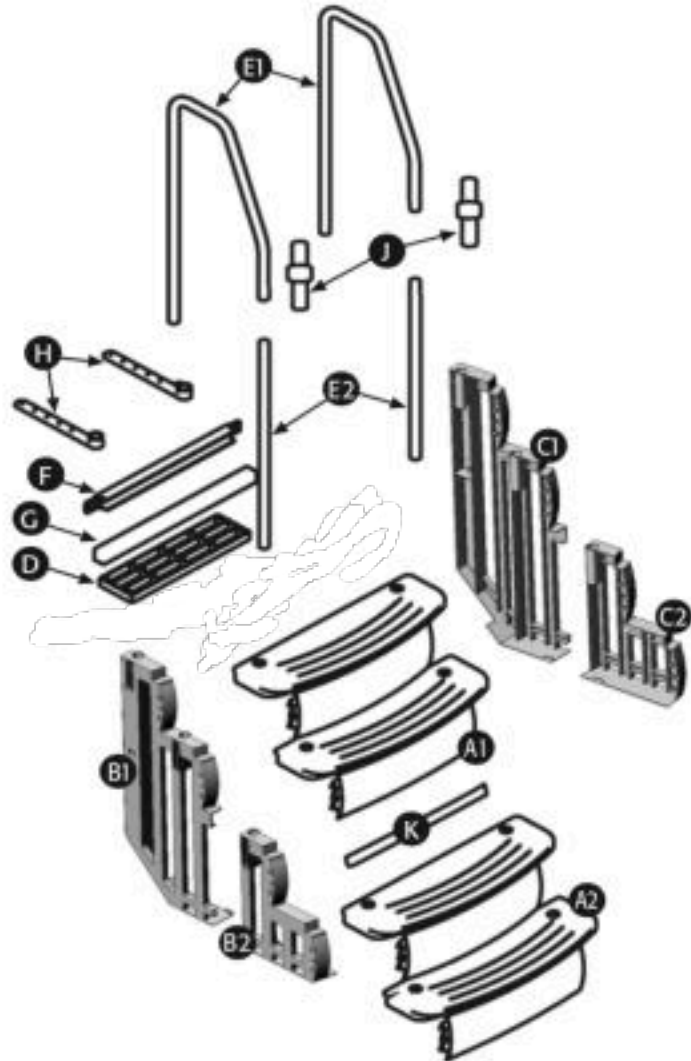
Can be used with Model #200700T (Smart Choice Ladder) to create The Easy Entry System

Easy Entry Step Components Qty

| | |
|----------------------------|---|
| A1) Upper Step Tread | 1 |
| A2) Lower Step Tread | 1 |
| B1) Upper Left Side Riser | 1 |
| B2) Lower Left Side Riser | 1 |
| C1) Upper Right Side Riser | 1 |
| C2) Lower Right Side Riser | 1 |
| D) Ballast Tray | 1 |
| E1) Upper Handrails | 2 |
| E2) Lower Handrails | 2 |
| F) Top Step Support Brace | 1 |
| G) Mid Riser Brace | 1 |
| H) Deck Connectors | 2 |
| J) Handrail Connectors | 2 |
| K) Step Tread Connector | 1 |

Hardware Kit (not shown) Qty

| | |
|---------------------------|----|
| M) Ballast Sand Bags | 3 |
| N) #8 x 1" SS Screws | 18 |
| O) #14 x 1-1/4" SS Screws | 8 |
| P) #10 x 3/4" SS Screws | 9 |



****Replacement Parts Available at MainAccess.com****

SAFETY INSTRUCTIONS:

- Install step per manufacturer's instructions.
- Locate Easy Entry Step on a solid base.
- Easy Entry Step is designed for use by one person at a time.
- This step is intended for use as a swimming pool entry/exit only.
- Face the step when entering and exiting the pool.
- No jumping, no diving from the step.
- Do not swim through, behind or around the step.

Tools Required

Cordless Screwgun/Drill, 1/8" Drill Bit, Standard Phillips Bit, Safety Glasses

SAND NOT INCLUDED. FLAT BOTTOM POOLS ONLY.

Note: Before you begin the assembly of your ladder/step please insure you have all components and hardware.

Model #200400T

Step 1: Step tread assembly.



Step 2: Ensure that the tapered edge of tread connector is facing up and out towards face of step.



Step 3: Align lower step tread with tread connector.



Step 4: Tap into place with rubber mallet.



Step 5: Insert (9) #10 3/4 screws in tread connector on hash marks.



Step 6: Align upper riser with mushroom caps on side of step tread.



For Questions Regarding Installation, Please Contact Main Access Customer Service 1-888-333-1134



EASY ENTRY STEP

Model #200400T Assembly Instructions

Step 7: Snap mushroom caps into place using rubber mallet.



Step 8: Align holes on lower riser over mushroom caps on lower step tread.



Step 9: Snap mushroom caps into place using rubber mallet



Step 10: Repeat steps 6 through 9 on opposite side.



Step 11: Align ballast tray between all four risers under the step.



Step 12: Snap riser tabs into ballast tray using the rubber mallet.



Step 13: Insert top step support brace in between uppers risers.



Step 14: Insert mid riser brace in between risers and over the tabs. May have to tilt risers to secure.



Step 15: Insert lower handrails into the holes on either side of the lower step tread.



Step 16: Insert the smaller end of the handrail connectors into the top of the lower handrails.



Step 17: Place deck connectors on the upper handrails and place into the holes on the top step.



Step 18: Place upper handrails down over the handrail connectors.



For Questions Regarding Installation, Please Contact Main Access Customer Service 1-888-333-1134



EASY ENTRY STEP

Step 19: Drill #14 x 1 1/4" screws into handrails through all upper and lower risers.



Step 20: Drill #8 x 1" screws into four dimples on step tread.



Step 21: Pool Installation

Note: Two people are required for installation.

A total weight of approximately 150 lbs. is required to keep the step from floating once in place under water. With the assistance of another person, carefully place the step in the pool. Place the three sealed bags of sand (not included) into the ballast bags (M) and over the ballast tray (D) to hold the step in place. Walk step back against the pool wall to prevent swim-behind hazards

***Optional* Purchase (3) Anchors (#200888) to weigh down the Easy Entry Step. Sand not included.**



Step 22: Deck Mount Installation

With the step in position close to the pool wall, slide the deck connectors (H) into position on either the pool top rail or pool deck. Secure to the deck with two #8 x 1" screws (N). Use a minimum of two screws per deck connector. Secure each deck connector (H) to each upper handrail (E1) by using a single #8 x 1" screw.

#200700T Smart Choice Ladder for outside entry to pool.



For Questions Regarding Installation, Please Contact Main Access Customer Service 1-888-333-1134

Model #200400T

Other Recommended Products From Main Access