



Installation Videos Available on YouTube

33800 Lear Industrial Parkway, Avon OH 44011

1-888-333-1134

www.MainAccess.com



Easy Entry
Model #200400T



Attention: DO NOT return product to store! If you have any damaged or missing components, please contact Main Access customer service for immediate assistance at 1-888-333-1134 or info@MainAccess.com.

All assembly videos available mainaccess.com or YouTube

Be sure to check out the wide variety of products that Main Access offers!



Shown with optional #200700T (Smart Choice Ladder) to create Easy Entry System



Assembly Instructions for Model #200400T Easy Entry Step



EASY ENTRY STEP

Model #200400T Assembly Instructions

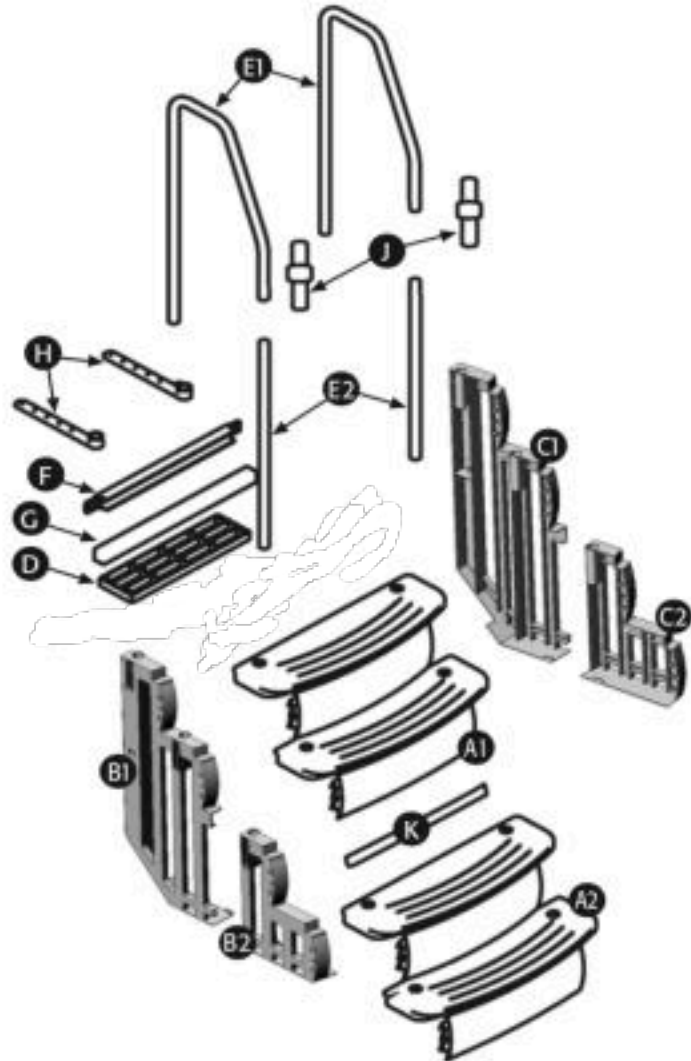
Can be used with Model #200700T (Smart Choice Ladder) to create The Easy Entry System

Easy Entry Step Components Qty

A1) Upper Step Tread	1
A2) Lower Step Tread	1
B1) Upper Left Side Riser	1
B2) Lower Left Side Riser	1
C1) Upper Right Side Riser	1
C2) Lower Right Side Riser	1
D) Ballast Tray	1
E1) Upper Handrails	2
E2) Lower Handrails	2
F) Top Step Support Brace	1
G) Mid Riser Brace	1
H) Deck Connectors	2
J) Handrail Connectors	2
K) Step Tread Connector	1

Hardware Kit (not shown) Qty

M) Ballast Sand Bags	3
N) #8 x 1" SS Screws	18
O) #14 x 1-1/4" SS Screws	8
P) #10 x 3/4" SS Screws	9



****Replacement Parts Available at MainAccess.com****

SAFETY INSTRUCTIONS:

- Install step per manufacturer's instructions.
- Locate Easy Entry Step on a solid base.
- Easy Entry Step is designed for use by one person at a time.
- This step is intended for use as a swimming pool entry/exit only.
- Face the step when entering and exiting the pool.
- No jumping, no diving from the step.
- Do not swim through, behind or around the step.

Tools Required

Cordless Screwgun/Drill, 1/8" Drill Bit, Standard Phillips Bit, Safety Glasses

SAND NOT INCLUDED. FLAT BOTTOM POOLS ONLY.

Note: Before you begin the assembly of your ladder/step please insure you have all components and hardware.

Model #200400T

Step 1: Step tread assembly.



Step 2: Ensure that the tapered edge of tread connector is facing up and out towards face of step.



Step 3: Align lower step tread with tread connector.



Step 4: Tap into place with rubber mallet.



Step 5: Insert (9) #10 3/4 screws in tread connector on hash marks.



Step 6: Align upper riser with mushroom caps on side of step tread.



For Questions Regarding Installation, Please Contact Main Access Customer Service 1-888-333-1134



EASY ENTRY STEP

Model #200400T Assembly Instructions

Step 7: Snap mushroom caps into place using rubber mallet.



Step 8: Align holes on lower riser over mushroom caps on lower step tread.



Step 9: Snap mushroom caps into place using rubber mallet



Step 10: Repeat steps 6 through 9 on opposite side.



Step 11: Align ballast tray between all four risers under the step.



Step 12: Snap riser tabs into ballast tray using the rubber mallet.



Step 13: Insert top step support brace in between uppers risers.



Step 14: Insert mid riser brace in between risers and over the tabs. May have to tilt risers to secure.



Step 15: Insert lower handrails into the holes on either side of the lower step tread.



Step 16: Insert the smaller end of the handrail connectors into the top of the lower handrails.



Step 17: Place deck connectors on the upper handrails and place into the holes on the top step.



Step 18: Place upper handrails down over the handrail connectors.



For Questions Regarding Installation, Please Contact Main Access Customer Service 1-888-333-1134



EASY ENTRY STEP

Step 19: Drill #14 x 1 1/4" screws into handrails through all upper and lower risers.



Step 20: Drill #8 x 1" screws into four dimples on step tread.



Step 21: Pool Installation

Note: Two people are required for installation.

A total weight of approximately 150 lbs. is required to keep the step from floating once in place under water. With the assistance of another person, carefully place the step in the pool. Place the three sealed bags of sand (not included) into the ballast bags (M) and over the ballast tray (D) to hold the step in place. Walk step back against the pool wall to prevent swim-behind hazards

***Optional* Purchase (3) Anchors (#200888) to weigh down the Easy Entry Step. Sand not included.**



Step 22: Deck Mount Installation

With the step in position close to the pool wall, slide the deck connectors (H) into position on either the pool top rail or pool deck. Secure to the deck with two #8 x 1" screws (N). Use a minimum of two screws per deck connector. Secure each deck connector (H) to each upper handrail (E1) by using a single #8 x 1" screw.

#200700T Smart Choice Ladder for outside entry to pool.



For Questions Regarding Installation, Please Contact Main Access Customer Service 1-888-333-1134

Model #200400T

Other Recommended Products From Main Access



33800 Lear Industrial Parkway, Avon, OH 44011

1-888-333-1134

Installation Videos Available on YouTube

www.MainAccess.com



**Item # 200700T
Smart Choice Ladder**

Attention: DO NOT return product to store!

If you have any damaged or missing components,
Please contact Main Access customer service for immediate assistance:
1-888-333-1134 or Info@MainAccess.com

Assembly videos available at MainAccess.com or on YouTube

Be sure to check out the wide variety of products that Main Access offers!

 AQUA CLOUD INFLATABLE TUBS FOR SPA		 The Anchor	 SmartLight RECHARGEABLE SMARTWIRE LED LIGHT
-------------------------------------------------------------------------------------------------------------------------------------	--------------------------------------------------------------------------------------	------------------------------------------------------------------------------------------------------------	------------------------------------------------------------------------------------------------------------------------------------------------

Use with Models #200740T Comfort Incline, #200600T Smart Step, and 200400T Easy Entry Step



Comfort Incline



Smart Step



Easy Entry Step



SMART CHOICE LADDER

Model #200700T Assembly Instructions

Ladder Components	Qty
A) Handrails	2
B) Platform	1
C) Adjustable Support Feet	2
D) Outside Ladder Body	1
E) Ladder Foot Extension	1
G) Adjustable Support Tube	2
H) Support Tube Base	1
I) Ladder Secure Straps	2

Hardware Kit (not shown)	Qty
J) 3/8" x 4" Carriage Bolt	4
K) 3/8" Hex Nut	4
L) 3/8" Flat Washer	4
M) #14 x 3/4" Tapping Screw	6
P) 1/4" x 2-1/4" Phillips Head Bolt	2
Q) 1/4" Acorn Nut	2
R) 1/4" Flat Washer	2
S) 1" Pan Head Screw	8
T) Lock Cable	1

Supplies Required: Phillips screwdriver or bit, drill, 1/8" bit, tape measure, 7/16" and 9/16" sockets, box or open end wrenches, padlock.

Note: Before you begin the assembly of your ladder/step, please insure you have all components and hardware.

Note: Contact our customer service department to request any missing or damaged parts or hardware at 888-333-1134.

SAFETY INSTRUCTIONS:

- Install ladder per manufacturer's instructions.
- Locate ladder on a solid base.
- Ladder is designed for use by one person at a time.
- This ladder is intended for use as a swimming pool ladder only.
- Face ladder when entering and exiting the pool.
- No jumping, no diving from ladder.
- Do not swim through, behind or around the ladder or step system.



****Replacement Parts Available at MainAccess.com****

Step 1: Snap handrails into platform tabs with receivers facing opposite of platform rungs.



Step 2: Insert Support Feet into Handrail receivers.



Step 3: Place 1/4" x 2-1/4" Phillips Head Bolt into desired position.



Step 4: Use 1/4" flat washer and hex nut to secure bolt.



Step 5: Use a phillips-head screwdriver and pliers to tighten carriage bolt.



Step 6: Repeat steps

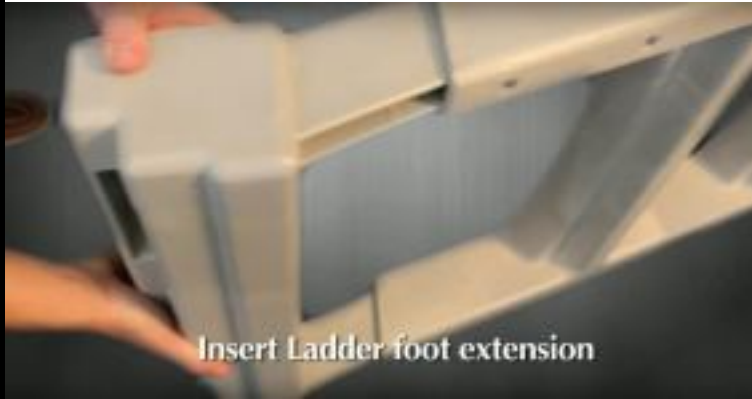




SMART CHOICE LADDER

Model #200700T Assmeby Instructions

Step 7: Insert the Ladder Foot Extension into the end of the Outside Ladder Body.



Step 8: Place 3/8" x 4" Carriage Bolts through the Outside Ladder Body and Ladder Foot Extension.



Step 9: Place 3/8" Flat Washers and Hex Nuts over the Carriage Bolts.



Step 10: Repeat steps 8 & 9 on opposite side.



Step 11: Use pliers to tighten all Hex Nuts.



Step 12: Insert Adjustable Support Tubes into the Support Tube Base.



Step 13: Attache Support Tubes under the Handrails and Platform assembly.



Step 14: Using a 1/8" drill-bit, pre-drill holes through the Support Tubes through the Platform.



Step 15: Secure the Support Tubes to the Platform using the #14 x 3/4" screws.



Step 16: Repeat steps 14 & 15 to attach the Support Tubes to the Support Tube Base.



Step 17: Attach the Outside Ladder Body to the Platform receivers.



Step 18: Secure the Platform to the pool top rail by weaving the straps through the Platform and under the pool top rail, securing outside the pool.



IMPORTANT: The Platform must be resting on the pool top rail and secured by either straps or bolts.



SMART CHOICE LADDER

Model #200700T Assmeby Instructions

Step 19: When not in use, remove ladder and secure in upright position by resting Ladder Foot Extension on the Platform receivers.



Step 20: Snap Outside Ladder Body tab into slot in the Handrail to secure.



Step 21: Use Lock Cable & Padlock (not included) to secure ladder onto top Handrail.



For use with Comfort Incline, slide handrails directly over ladder body and attach with Phillips Head Bolt, Flat Washer, and Lock Nut.



For use with Smart Step System, center Support Feet on top step. Secure feet using (8) 1" screws through hash marks on Support Feet (C).



Smart Step Cont'd: Attach Upper Rail to Smart Choice Handrail using Smart Connector and (2) 1" screws.



Model #200700T

For use with Easy Entry Step: Align Support Feet (C) over markings on Easy Entry Step Upper Step Tread (A1).



Easy Entry Cont'd: Attach Support Feet C to Upper Step Tread using the (8) 1" screws.



Other Recommended Products From Main Access



Mount it to your step or hang it from the return!



Use them to easily weigh down your pool step!

AQUA CLOUD
OVERSIZED FLOATING MATTRESS



Luxury Pool Floats!



Light-up Floating Globes and Furniture!